

## HYDRAULIC POWER TAKE-OFF

### HP300I



#### QUALITY IS STANDARD

- HYDRAULICALLY ACTUATED
- EASE OF INSTALLATION
- REMOTE ACTUATION
- CLUTCH ADJUSTMENT NOT REQUIRED

At the heart of the HP300I is an oil-filled, multiple disc, hydraulically-actuated self-adjusting clutch. Twin Disc's patented actuating technology facilitates seamless engagements and provides extraordinary durability resulting in long life and low maintenance.

#### **FEATURES AND BENEFITS**

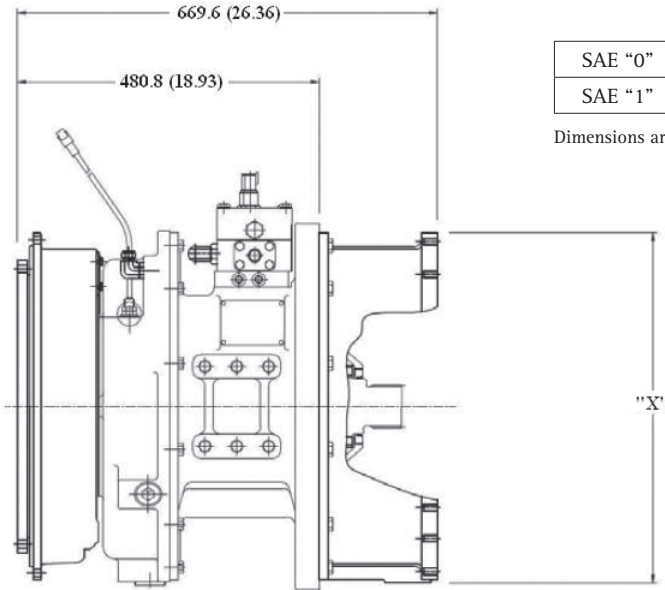
- Modular design
- Up to 1050 hp
- Torsional coupling input
- SAE #1, #0

#### **SPECIFICATIONS - HP300I**

Model Number	Maximum Torque Rating* Nm (lb-ft)	Maximum Speed	Weight kg (lbs)
HP300I	4070 (3000)	2100	586 (1289)

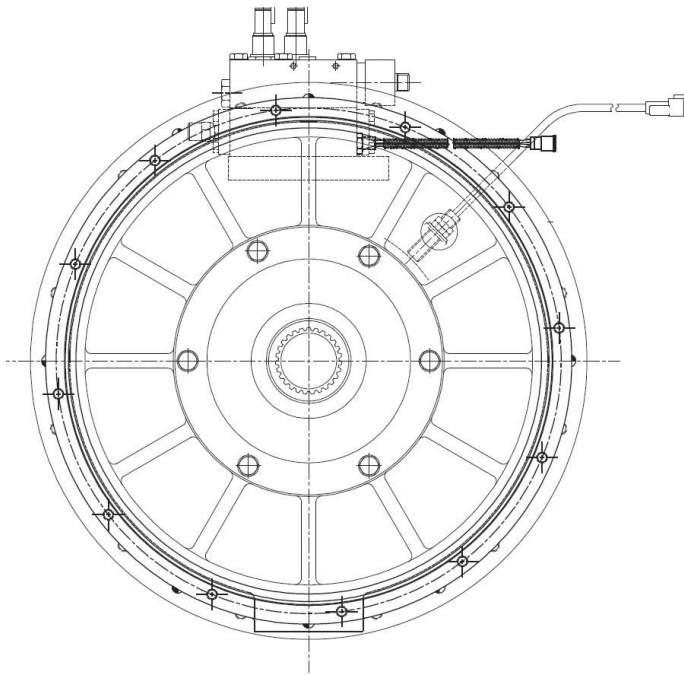
\* Actual rating depends on application, prime mover and shock loads. Contact Twin Disc Application Engineering for load classification and assistance in the selection of the correct hydraulic PTO.

**HP3001**



<b>"X"</b>	
SAE "0"	711.2 (28.00)
SAE "1"	552.4 (21.75)

Dimensions are in mm (inches)



**TORSIONAL VIBRATION**

Responsibility for ensuring that the torsional compatibility of the drive train is satisfactory rests with the assembler of the drive and driven equipment, regardless of whether Twin Disc supplies the flexible input coupling or it is customer supplied. Torsional vibration analysis can be made by the engine builder, independent consultants or others. Twin Disc is prepared to assist in finding solutions to potential torsional problems that relate to the Twin Disc supplied equipment.

Twin Disc, Incorporated reminds users of these products that their safe operation depends on use in compliance with engineering information provided in our catalog. Users are also reminded that safe operation depends on proper installation, operation and routine maintenance and inspection under prevailing conditions. It is the responsibility of users (and not Twin Disc, Incorporated) to provide and install guards or safety devices which may be required by recognized safety standards or by the Occupational Safety and Health Act of 1970 and its subsequent provisions.

**United States of America • Australia • Belgium • France • Italy • Singapore • Switzerland**

For nearly a century, we've been putting horsepower to work by designing, engineering and manufacturing rugged-duty industrial products. Our products and our reputation are bolted to the most renowned engine manufacturers and equipment OEMs in the world. Our mission is to make your machines and vehicles more productive, more durable, more operator-friendly, more cost-effective. From design and installation consultation through after-sale support, Twin Disc and its distributors are committed to your business. No one knows more about managing horsepower in more ways than Twin Disc.

- TRANSMISSIONS • CLUTCHES • PTOS
- PUMP DRIVES • TORQUE CONVERTERS
- GEARBOXES • HYDRAULIC PTO PRODUCTS



**Twin Disc, Incorporated**  
**Racine, Wisconsin 53403 USA**  
**Phone +1-262-638-4000**  
**Fax +1-262-638-4482**  
**www.twindisc.com**

Bulletin-HP300  
 © 2012, Twin Disc, Incorporated  
 Printed in the USA - 08/2012