

## HYDRAULIC POWER TAKE-OFF

### HP800

The HP800 is an oil-filled, multiple disc, hydraulically-actuated self-adjusting clutch. The HP800 has been developed with a number of unique features that offer reliability, productivity and power, including: integral mechanical brake release, optional integrated reservoir and standard hydraulic gear pump. The HP800 has been designed for a wide range of heavy-duty applications including crushers, grinders, mulchers, dredgers, heavy-duty drills and many others.

#### FEATURES & BENEFITS:

- Hydraulically actuated and self-adjusting wet clutch
- Suitable for in-line and side-load applications
- Advanced control system for smooth engagement
- Remote actuation via J1939 or switch input
- No pilot bearing
- High side load capability
- Maximum power rating 800 HP @ 1800 rpm
- Two towers with two pump pads each
  - 400 HP maximum capacity per tower
  - 450 HP maximum capacity for both towers
- Available pump pads:
  - SAE "A" • SAE "B" • SAE "C" • SAE "D" • SAE "E"
- Pump tower rotatable by 0°/45°/90° CW/CCW
- 1:1 standard with optional 0.83:1 & 0.77:1 speed increase on pump tower
- SAE #0 & SAE #1 input housing
- SAE 460 (18") & SAE 355 (14") input coupling
- Optional integrated reservoir
- Standard charge/lube pump included



#### SPECIFICATIONS – HP800

Model Number	Maximum Power Rating			Maximum Speed (RPM)	Pump Tower Capacity		Weight kg (lbs)
	@ 1200 RPM	@ 1800 RPM	@ 2200 RPM		1 Tower (2 Pads)	2 Tower (4 Pads)	
HP800P	533 HP (397 kW)	800 HP (597 kW)	978 HP (729 kW)	2300	400 HP (298 kW)	450 HP (336 kW)	755 kg (1665 lbs)*
HP800I							713 kg (1572 lbs)*

\*includes dual tower, optional reservoir and standard charge pump

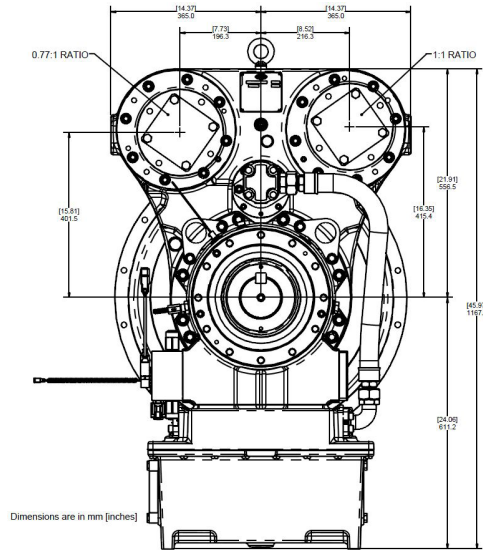
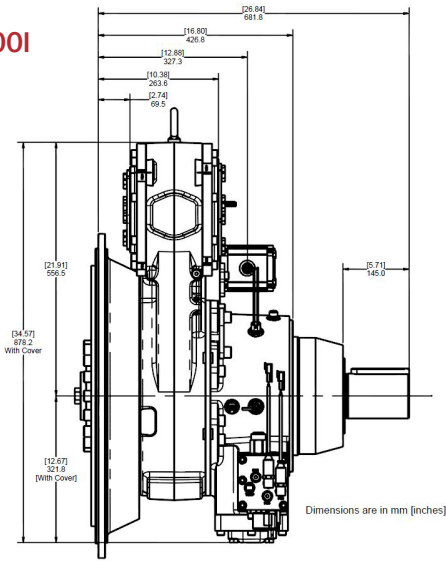


Specifications subject to change without prior notice in the interest of continual product improvement. Contact your local Twin Disc representative for engineering specifications, Survey Society Approvals and Classifications.

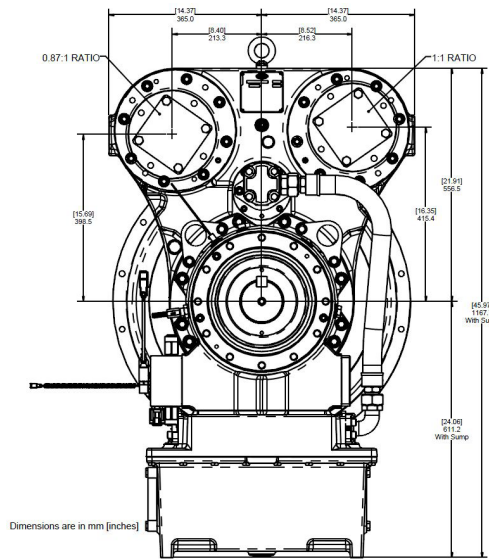
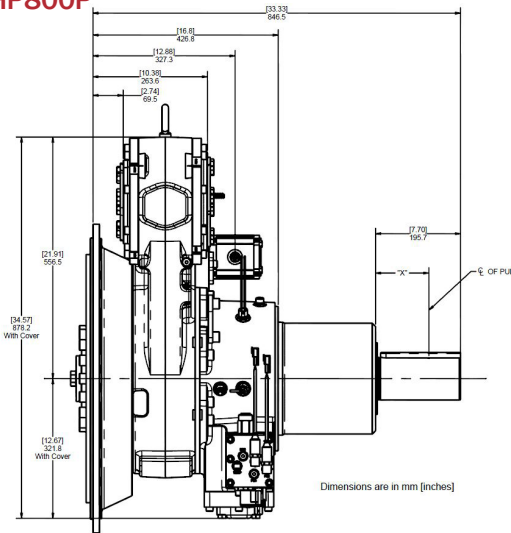
Scan QR code to see Twin Disc's entire land-based product line.



## HP800I



## HP800P



## HP800P SIDE LOAD CAPACITY VALUES

RPM	mm	-50.8	-25.4	0.0	25.4	50.8	76.2	101.6	127	152.4
	inches	-2.0	-1.0	0.0	1.0	2.0	3.0	4.0	5.0	6.0
1200	N	133367	121158	110996	86930	68905	56575	47988	41664	36814
	Lbf.	29982	27237	24953	19543	15490	12718	10788	9367	8276
1800	N	122442	111233	101903	77342	61013	50095	42492	36892	32597
	Lbf.	27526	25006	22909	17387	13716	11262	9553	8294	7328
2100	N	118565	107711	98676	73986	58256	47831	40571	35225	31124
	Lbf.	26655	24214	22183	16633	13096	10753	9121	7919	6997

Twin Disc, Incorporated reminds users of these products that their safe operation depends on use in compliance with engineering information provided in our catalog. Users are also reminded that safe operation depends on proper installation, operation and routine maintenance and inspection under prevailing conditions. It is the responsibility of users (and not Twin Disc, Incorporated) to provide and install guards or safety devices which may be required by recognized safety standards or by the Occupational Safety and Health Act of 1970 and its subsequent provisions.

United States of America • Australia • Belgium • Canada • China • India • Italy • Singapore • Switzerland

For nearly a century, we've been putting horsepower to work by designing, engineering and manufacturing rugged-duty industrial products. Our products and our reputation are bolted to the most renowned engine manufacturers and equipment OEMs in the world. Our mission is to make your machines and vehicles more productive, more durable, more operator-friendly, more cost-effective. From design and installation consultation through after-sale support, Twin Disc and its distributors are committed to your business. No one knows more about managing horsepower in more ways than Twin Disc.

**TRANSMISSIONS • CLUTCHES • PTOS  
PUMP DRIVES • TORQUE CONVERTERS  
GEARBOXES • HYDRAULIC PTO PRODUCTS**



Twin Disc, Incorporated  
Racine, Wisconsin 53403 USA  
Phone +1-262-638-4000  
Fax +1-262-638-4482  
www.twindisc.com

TD-Bulletin-HP800  
© 2017, Twin Disc, Incorporated  
Printed in the USA - 1/2017